

Cylinder-bed, 1-needle, Unison-feed, Lockstitch Machine

## DSC Series

**DSC-244** (with standard hook)

**DSC-244-7** (with standard hook and automatic thread trimmer)

**DSC-245** (with standard hook, automatically lubricated for hook)

**DSC-245-7** (with standard hook, automatically lubricated for hook and automatic thread trimmer)

**DSC-246** (with double-capacity hook)

**DSC-246-7** (with double-capacity hook and automatic thread trimmer)



● DSC-245



● DSC-245-7-0B/CP-160C  
\* CP-160C operation panel is optionally available.



*The DSC Series of sewing machine for sewing tubular materials such as bags and shoes has an outstanding ability to sew small curves smoothly.*

With its consistent seam quality and sharp-curve sewing function, the JUKI DSC Series of cylinder-bed, 1-needle, unison-feed, lockstitch machines has earned an outstanding reputation. A further-upgraded DSC Series is now launched. The machine is provided with automatic thread trimmer and comes with thoroughly-redesigned electrical components, thereby ensuring higher power and improved reliability. JUKI is confident that its newly launched DSC Series is provided with all the essentials needed for the sewing of heavy materials.

**DSC-244/DSC-245/DSC-246**



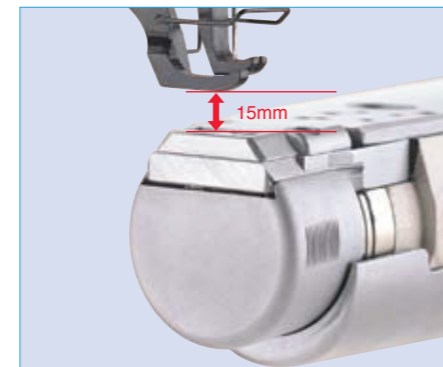
**Consistent seam quality**

The unison-feed provides the optimal feed efficiency by feeding heavy materials smoothly and firmly.



**Excellent for sewing sharp curves**

The diameter of the cylinder is as small as  $\varnothing$  46mm for a standard hook or  $\varnothing$  50mm for a double-capacity hook. The small-diameter cylinder is quite helpful for handling bags, shoes, and other small articles smoothly and easily.



**When using the knee lifter, the lift of the presser foot is as high as 15mm (Machine without a thread trimmer)**

For the machine provided with a thread trimmer, the lift of the presser foot is as high as 13mm, allowing the operator to handle the material with ease.



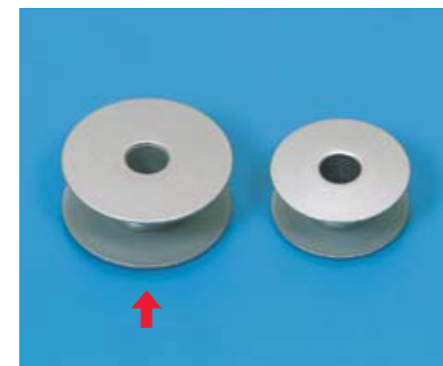
**The horizontal feed is best-suited for attaching of piping tape (V type)**

The feed mechanism that can synchronize the binder in the piping-tape attachment process in the sewing of shoes. (Parts to be changed are optionally available.)



**DSC-245**

The machine is equipped with a new automatic hook-lubricating system that automatically lubricates the hook. With this feature, a maintenance-free hook has finally materialized.



**DSC-246**

The hook accommodates thread twice as long as that for a standard hook. It also reduces the frequency of bobbin thread replacement, thereby enabling the operator to smoothly conduct sewing with a higher degree of efficiency.

**SPECIFICATIONS**

Model name	DSC-244	DSC-245	DSC-246
Max. sewing speed	2,200rpm		
Max. stitch length	6mm (normal/reverse feed)		
Needle bar stroke	36mm		38mm
Lift of the presser foot	By hand: 9mm, By knee: 15mm		
Thread take-up	Slide type		
Alternating vertical movement	2.3~4.8mm		
Hook	Horizontal-ax is full-rotary hook		Horizontal-ax is full-rotary double-capacity hook
Needle (at the time of delivery)	DPX17 (#18) #14-#21 For JE: 135X17 (Nm110)		DPX17 (#21) #14-#23 For JE: 135X17 (Nm130)
Thread	#50-#20, B33-B69, Nm=120/3-40/3		#50-#8, B33-B92, Nm=120/3-30/3
Lubrication	By an oiler	By an oiler (hook: automatic)	By an oiler
Lubricating oil	JUKI New Defrix Oil No. 1 (equivalent to ISO VG7)		
Cylinder-bed diameter	$\varnothing$ 46mm		$\varnothing$ 50mm
Distance from needle to machine arm		264mm	
Weight of the machine head	36kg		

**DSC-244-7/DSC-245-7/DSC-246-7**

**The machine equipped with automatic thread trimmer**



With its horizontal-cutting mechanism, the automatic thread trimmer cuts various kinds high-to low-count threads.

**Options ensure easier operation**



**Automatic reverse feed function (equipped as standard for the DSC-245-7 and DSC-246-7)**

Reverse-feed stitching operation can be started simply by pressing the one-touch-type reverse-feed button. Furthermore, if a suspended ruler is attached on the machine or a 3-dimensional sewing product is sewn, the button can be shifted upward to prevent interruption.

**OPTIONS**

**Pneumatic auto-lifter**

The pneumatic auto-lifter comes in two types: the knee switch type auto-lifter (AK-110C) and the pedal switch type auto-lifter (AK-110B). Select the type that best suits your sewing applications.

**SPECIFICATIONS**

Model name	DSC-244-7	DSC-245-7	DSC-246-7
Max. sewing speed	2,200rpm		
Max. stitch length	6mm (normal/reverse feed)		
Needle bar stroke	36mm		38mm
Lift of the presser foot	By hand: 8mm, By knee: 13mm		By hand: 8mm, By knee: 14mm
Thread take-up	Slide type		
Alternating vertical movement	2.3~4.8mm		
Hook	Horizontal-ax is full-rotary hook		Horizontal-ax is full-rotary double-capacity hook
Needle (at the time of delivery)	DPX17 (#18) #14-#21 For JE: 135X17 (Nm110)		DPX17 (#21) #14-#23 For JE: 135X17 (Nm130)
Thread	#50-#20, B33-B69, Nm=120/3-40/3		#50-#8, B33-B92, Nm=120/3-30/3
Lubrication	By an oiler	By an oiler (hook: automatic)	By an oiler
Lubricating oil	JUKI New Defrix Oil No. 1 (equivalent to ISO VG7)		
Cylinder-bed diameter	$\varnothing$ 46mm		$\varnothing$ 50mm
Distance from needle to machine arm		264mm	
Weight of the machine head	39kg		
Automatic reverse feed function	Provided as standard		
Power requirement	Single-phase 100~120V, 200~240V 3-phase 200~240V		

## ■ WHEN YOU PLACE ORDERS

Please note when placing orders, that the model name should be written as follows:

### ● Without automatic thread trimmer

DSC244/245/246

Feed system	Code
Elliptical feed	/
Horizontal feed	V

Automatic reverse feed function	Code
Not provided	/
Provided	0B

### ● With automatic thread trimmer

DSC244/245/246  70B/

Feed system	Code
Elliptical feed	/
Horizontal feed	V

Pneumatic auto-lifter (optional)	Code
Knee switch type (AK110C)	C
Pedal switch type (AK110B)	B
Not provided	/

● To order, please contact your nearest JUKI distributor.

**JUKI®**  
**JUKI CORPORATION**  
**MARKETING & SALES H.Q.**

\* Specifications and appearance are subject to change without prior notice for improvement.  
 \* Read the instruction manual before putting the machine into service to ensure safety.  
 \* This catalog is printed on recycle paper.



#### JUKI CORPORATION HEAD OFFICE

The environmental management system to promote and conduct  
 ① the technological and technical research, the development and design of the products in which the environmental impact is considered,  
 ② the conservation of the energy and resources, and the recycling, in the research, development, design, distribution, sale and maintenance service of the industrial sewing machines, household sewing machines and industrial-use robots, etc. and in the purchase, distribution and sale of the household commodities including the healthcare products.



www.lidermaq.com  
 ventas@lidermaq.net